



***PROFILE
DESIGN*** 

A2 TO A3 ADAPTOR

REVISION 01-05-04-2023

INTRODUCTION

Thank you for purchasing these Profile Design Riser Adaptors. These instructions apply to the A2 to A3 Adaptor.

Please read these instructions thoroughly before attempting to install this item. Proper installation is required for compliance with Profile Design's warranty policy. If you are not familiar with installation of Aerobars or their accessories, please seek the assistance of your local Profile design dealer by logging on to www.profile-design.com and using "dealer search" or by calling Profile Design's customer service number p.# 888.800.5999.

Note to Dealers: If you install this product for the consumer, please provide him/her with this owner's manual after installation.

Tools and materials required:

- 5mm Hex Wrench
- Torque Wrench with a 5mm Hex fitting
- Grease such as Finishline Premium Grease

Your Riser kit should contain:

- Two (2) aluminium base adaptors
- Two (2) aluminium top adaptors

Products compatible with these adaptors:

- Profile Design Aeria Ultimate
- Wilier Turbine Basebar
- Orro Venturi Tri Basebar

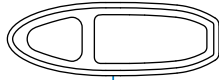
The adaptors are intended to allow the basebars listed above to utilise the A3A and A3C riser kits.

If anything is missing from the Adaptor kit please contact your dealer.

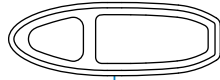
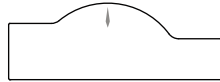
WARNING: Periodically check the Aero bar for damage, particularly for scratches through the anodised coating (aluminium parts) or clearcoat (carbon parts) that could lead to degradation and weakening of the base material. Replace your Aero bar if you notice any damage from use or accident.

COMPONENT LIST

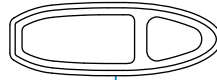
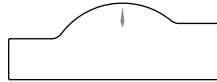
| Ref.# | Part.# | QTY. Req. | Part Description |
|-------|--------|-----------|-----------------------|
| 1 | 274470 | 2 | A2 to A3 Adaptor 15mm |
| 1 | 274474 | 1 | Adaptor 10mm (L) |
| 1 | 274475 | 1 | Adaptor 10mm (R) |



01

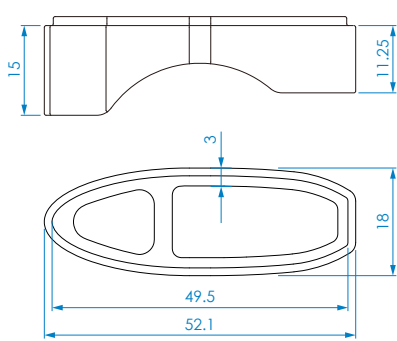


02

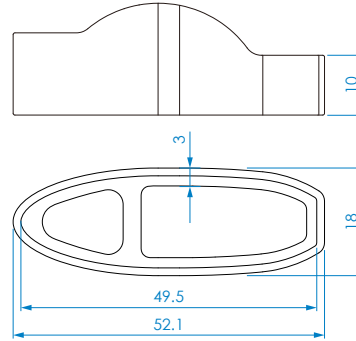


03

PART DRAWINGS

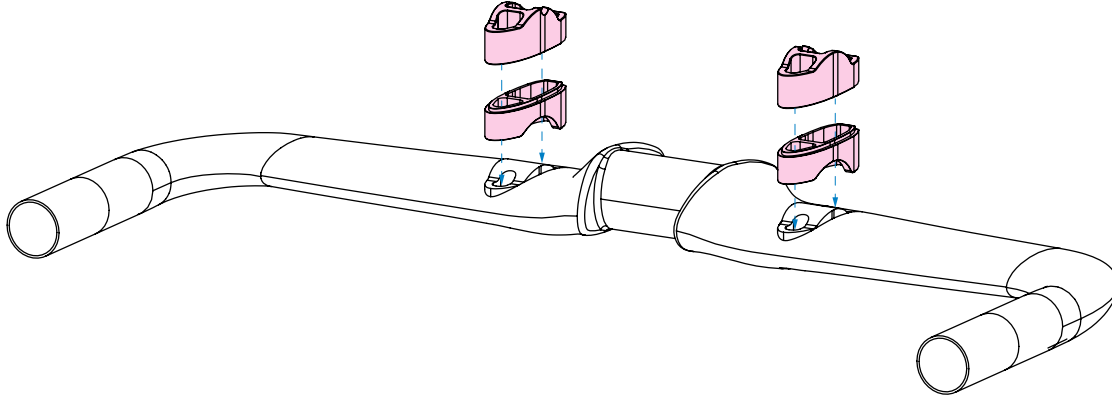


Adaptor 10mm (L)(R)



A2 to A3 Adaptor 15mm

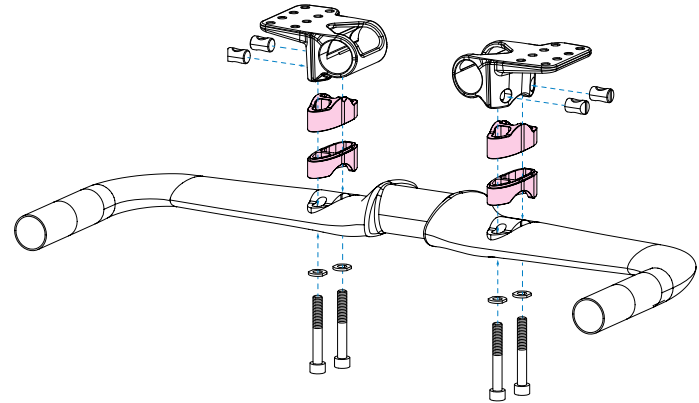
PRODUCT SPECIFIC SETUP LIMITATIONS



The additional stack of the A2 to A3 adaptor and the A3 baseplate is 25mm. If you are using a basebar that is not made by Profile Design you will need to refer to the manufacturers bolt tables and realise that the minimum riser height is now 25mm.

INSTALLATION INSTRUCTIONS

1. Consult the bolt length table to ensure you use the correct length bolt for your setup. Apply grease to the contact surfaces of the risers.
 - Note that the adaptors are directional, the flat end faces to the rear of the bar.
2. Assemble the risers with the A2-A3 adaptor at the bottom and the A3 baseplate at the top.
 - Note that the notch in the A3 baseplate should be on the stem side of the riser stack.
 - If using electronic gears, route the cable through the basebar and risers prior to installing the brackets.
3. Assemble the brackets.
 - Assembly tip – it is usually easier to start with the bolt at the front of the bracket.
 - Use the locator groove on the side of the threaded barrel (in the aerobar bracket) to aid in aligning the barrel for bolt installation.
 - If using electronic gears, ensure the cable is sitting in the notch on the A3 baseplate before tightening the riser bolts.
4. Tighten the bolts until the aerobar bracket is firmly in place and repeat with the other side.
5. Check the placement of the brackets then use the torque wrench with a 5mm fitting to tighten the aerobar bracket clamp to 6Nm.



WARNING:
Using bolts that are too long for the risers and bracket will prevent correct installation.
Bolts that are too short may lead to failure during use.

WARRANTY POLICY

- Profile Design Worldwide Two Year Limited Warranty.
- Profile Design, LLC (distributor) warrants to the original retail purchaser ("you") that the Profile Design product for which you received this warranty is free from defects in material and workmanship for (2) two years from the date of original retail purchase. For more details on this warranty, its exclusions and/or how to make a claim under the warranty please call +1 310.747.0085 extension 161 or visit www.profile-design.com/pages/warranty



2677 El Presidio Street
Long Beach, CA 90810
Ph: 310-884-7756

www.profile-design.com

© Profile Design LLC